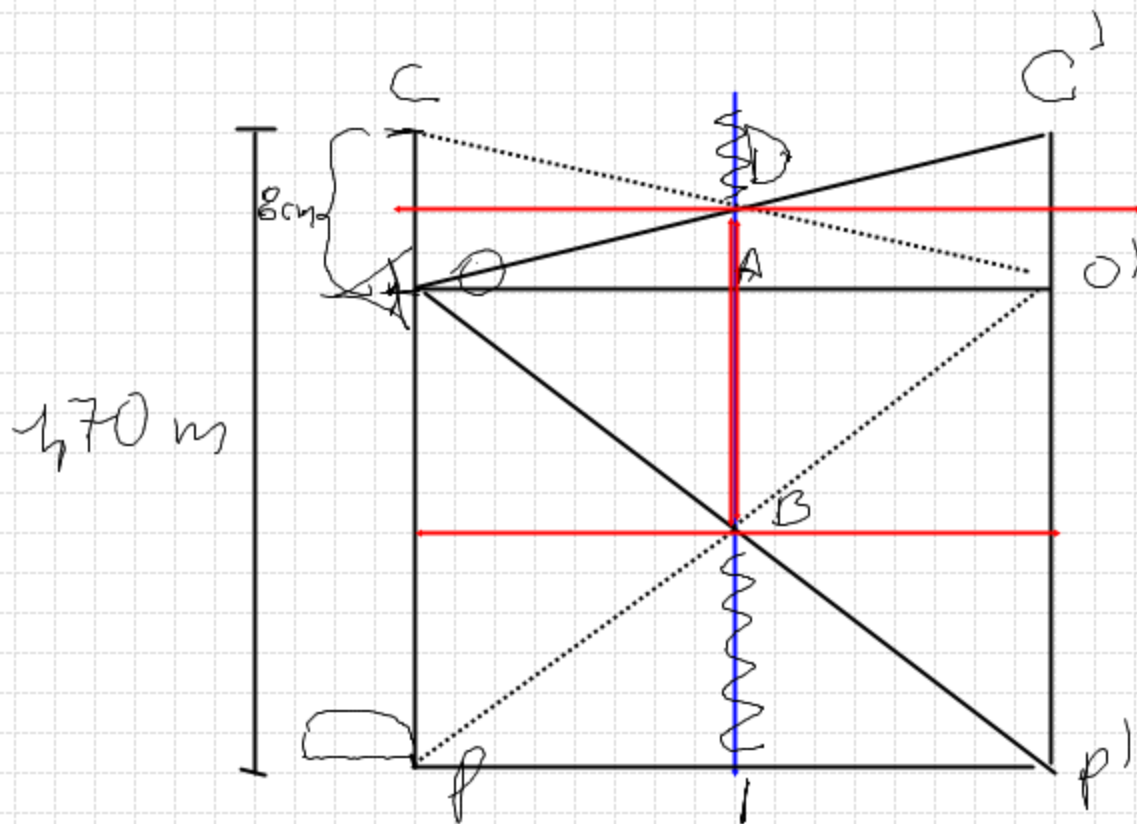


BSN° 21 PAG 336



$$\overline{AP} = 170 \text{ cm} - 8 \text{ cm} = 162 \text{ cm}$$

$$\overline{AB} = 162 \text{ cm} : 2 = 81 \text{ cm}$$

$$\overline{AD} = 8 \text{ cm} : 2 = 4 \text{ cm}$$

$$\overline{BD} = 4 \text{ cm} + 81 \text{ cm} = 85 \text{ cm}$$

$$\overline{DI} = 170 \text{ cm} - 4 = 166 \text{ cm}$$

$\pi = ?$

$R = ?$

SPECCHIO CONVESSO

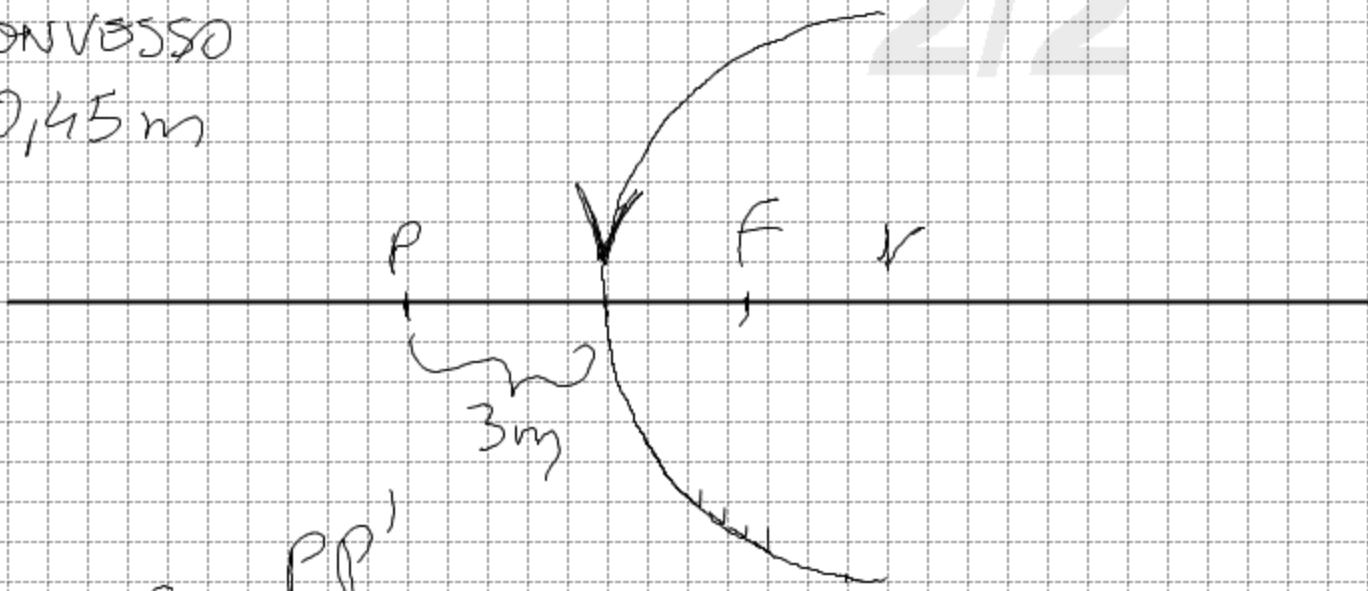
$h = 45 \text{ cm} = 0,45 \text{ m}$

$p = 3 \text{ m}$

$p' = -2,5 \text{ m}$

$G = ?$

$h' = ?$



$$\frac{1}{p} + \frac{1}{p'} = \frac{1}{f} \rightarrow f = \frac{pp'}{p+p'}$$

$$\frac{1}{3\text{m}} + \frac{1}{-2,5\text{m}} = \frac{1}{f}$$

$$f = \frac{3\text{m} \cdot (-2,5\text{m})}{3\text{m} + (-2,5\text{m})} = \frac{-7,5\text{m}^2}{3\text{m} - 2,5\text{m}} = \frac{-7,5\text{m}^2}{0,5\text{m}} = -15\text{m}$$

$$G = \left| \frac{p'}{p} \right| = \left| \frac{-2,5}{3} \right| = 0,83$$

$$G = \left| \frac{p'}{p} \right|$$

se  $p$  e  $p'$  sono concordi

$G > 0$

$f > 0$

se  $p$  e  $p'$  sono discordi

$\frac{p'}{p} < 0$

$G > 0$

$$G = \left| \frac{h'}{h} \right|$$

$$G = \left| \frac{p'}{p} \right|$$

$$\left| \frac{p'}{p} \right| = \frac{h'}{h} \rightarrow \left| \frac{-2,5}{3} \right| = \frac{h'}{0,45} \rightarrow h' = \left| \frac{-2,5}{3} \right| \cdot 0,45 = 0,375$$